

TOMCAT®

Handmade in U.S.A. - Est 1986

Premium Compact Walk-Behind Scrubbers

MicroMini

Recon



Family-Owned & Operated



Burnisher

Scrubbers

Sweepers

Choose Your Chassis



MicroMini

Keep every area of your facility clean with this small walk behind scrubber. This easy to maneuver design provides versatility on a durable platform.

- Up to 47,244 sqft Per Charge
- 10 / 10 Gallons
- 17 - 24 inch decks

Applications

- Education
- Healthcare
- Grocery - Retail



Recon

Clean in hard to reach areas with this small-footprint walk behind floor scrubber. Nimble enough to clean congested areas with ease.

- Up to 31,496 sqft Per Charge
- 10 / 10 Gallons
- 17 - 20 inch decks

Applications

- Aviation
- Fitness Centers
- Convenience Stores

Tank Tips

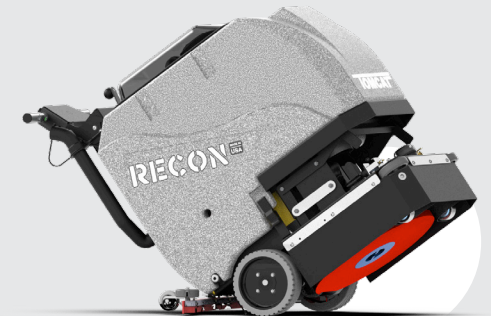


Access batteries, pumps and motors without any tools.

Brush Access



MicroMini: Remove shroud, raise Deck.

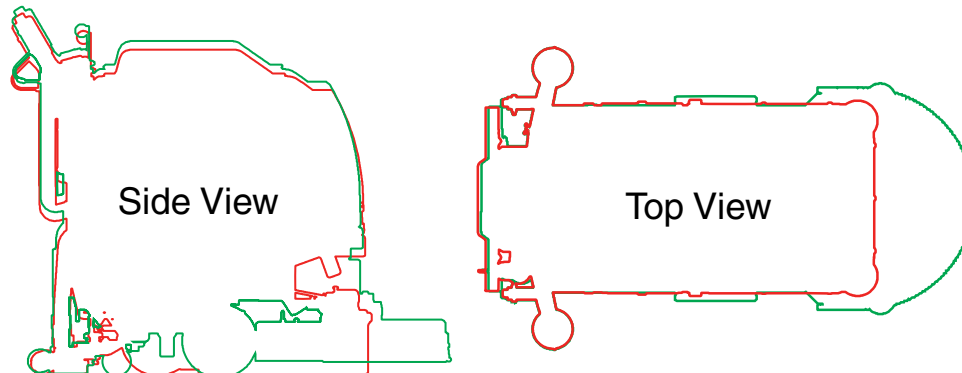


Recon: Tip Machine Back.

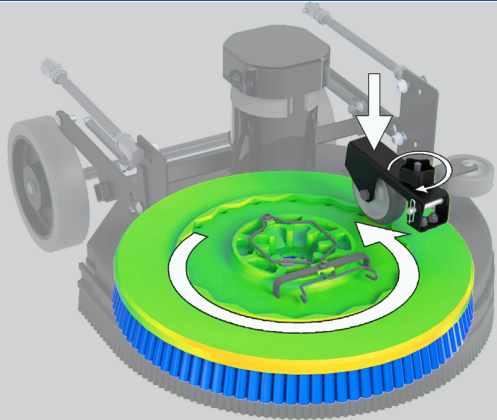
Size Comparison Chart

 MicroMini

 Recon



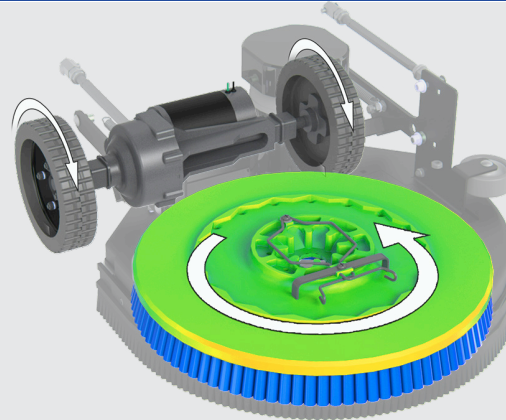
Specifications and features subject to change without notice.



Disk Pad Assist

Benefits

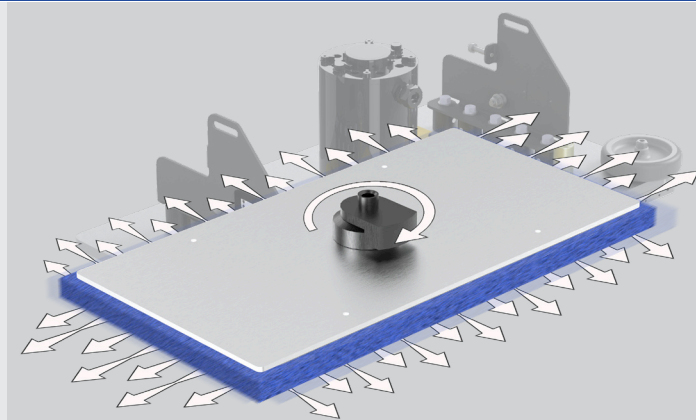
- Lowest Maintenance Cost
- Brushes Individually Driven for Unmatched Performance
- Brush / Pad Selection
- Improved Cleaning on Irregular Floors



Disk Traction

Benefits

- Powered Reverse
- Ramp Climbing
- Operator Ease
- Brush / Pad Selection
- Improved Cleaning on Irregular Floors



EDGE

Benefits

- Chemical Free Stripping
- Reduce Slip & Fall Potential
- 70% Reduction in Water Usage
- Consistent Results - No Swirl Marks
- VCT Prep & Recoat

*Orbital Decks are not available on Recon



20 in Pad Assist Disk Deck on MicroMini



20 in Traction Disk Deck on MicroMini



20 in EDGE Deck on MicroMini

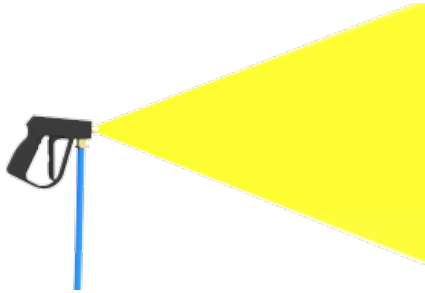


Recovery Tank



Vac Protection System

As the tank fills, the Float Ball rises until it is sucked into a sealed position, cutting off airflow to the vacuum motor.



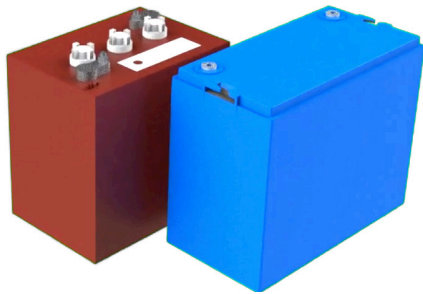
Spray Wand

Conveniently rinse out the Recovery Tank using the machine's own solution. Pre-soak the floor before scrubbing.



Onboard Charger

Charge anywhere in the facility with a plug and forget charger. LED Indicator lights shows state of charge.



WET / AGM Battery Options

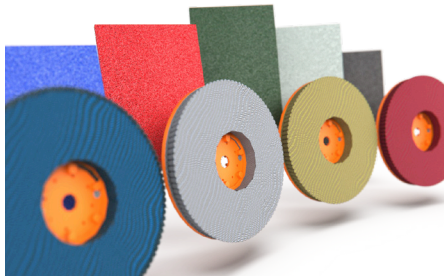
Choose between a variety of battery options for optimal run and charge times based on the application and needs.



Flip Wand

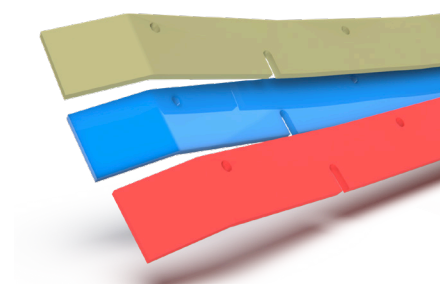
3 Main Functions:

- Apply Solution
- Scrub the ground with manual scrub brush
- Powerful suction recovers water into the recovery tank



Brushes And Pads

Depending on the floor, the right Brush or Pad can make or break the cleaning performance. Luckily there are a number of selections to ensure the best performance to match the floor type.



Squeegees

3 Material Choices:

- Gum Rubber (Low Cost)
- Urethane (Oil Resistant)
- Linatex (Abrasion Resistant)



MicroMini

MICROMINI

Chassis Construction:	1/8" Steel (3.2 mm) Powder Coated
Front Wheels (Ø x Width):	(2x) 8" x 2" ((2x) 20.3 x 5.1 cm) - Non-Marking Grey
Rear Wheels (Ø x Width):	(2x) 2.5" x 1.38" ((2x) 6.4 x 3.5 cm) - Non-Marking Grey
Size (L x W x H):	42" x 21" x 39" (106.7 x 53.3 x 91.1 cm)
Weight (w/o Batteries):	215 - 315 lbs (97.5 - 142.9 kg)
Weight (w/ Batteries):	380 - 480 lbs (172.4 - 217.7 kg)
BRUSH / PAD SYSTEM	
Disk Dimensions:	17" - (1x) 17" Ø (43.2 - [1x] 43.2 cm) 20" - (1x) 20" Ø (50.8 - [1x] 50.8 cm)
Disk Motor:	(1x) 0.75 hp ([1x] 559 watts)
Disk Brush Speed:	200 rpm
EDGE Dimensions:	20" x 14" (50.8 x 35.6 cm) 24" x 14" (61 x 35.6 cm)
EDGE Motor:	1 hp (745 watts) 2,500 rpm
Brush Down Pressure:	Up to 100 lbs (45.4 kg) / 500 lbs (226.8 kg) Actuator Rating
POWER SYSTEM	
System Voltage/Amps	24 VDC / 130 ah WET
Optional Battery:	Up to 150 ah WET / 115 ah AGM*
*Includes Onboard Charger	
Run Time:	Up to 3 Hours**
**Based on continuous scrubbing run times.	
DRIVE SYSTEM	
Power:	0.75 hp - All Gear / Sealed (559 watts) & Pad Assist
Forward Speed:	0 - 230 ft/min / 0 - 2.6 mph (0 - 70 m/min / 0 - 4 km/h)
Scrubbing Speed:	0 - 184 ft/min / 0 - 2 mph (0 - 56 m/min / 0 - 3 km/h)
Reverse Speed:	0 - 130 ft/min / 0 - 1.5 mph (0 - 40 m/min / 0 - 2 km/h)
SOLUTION / RECOVERY SYSTEMS	
Solution Tank Capacity:	10 Gallons (37.9 liters) - w/ Graduated Site Tube
Solution Flow / Filter:	0 - 0.5 GPM / Stainless Inline (0 - 2 LPM)
Recovery Tank Capacity:	10 Gallons (37.9 liters) - 1.5" Ø Drain Hose
Demisting Chamber:	1.25 Gallons (4.7 liters)
Drain Saver:	30 cubic inches (491.6 cubic cm)
Vacuum Power	0.8 hp / 3 Stage (640 watts)
(Water Lift / Airflow):	70" / 70 cfm (177.8 cm / 2 cm/m)
GENERAL	
Productivity - Theoretical:	Up to 15,748 sqft/hr (1,463 sqm)***
***Based off of ISSA 2010 Cleaning Times	
Productivity - Practical:	Up to 7,308 sqft/hr (679 sqm)***
***Based off of ISSA 2010 Cleaning Times	



Recon

RECON

Chassis Construction:	1/8" Steel (3.2 mm) Powder Coated
Front Wheels (Ø x Width):	(2x) 2.5" x 1.38" ((2x) 6.4 x 3.5 cm) - Non-Marking Grey
Rear Wheels (Ø x Width):	(2x) 8" x 2" ((2x) 20.3 x 5.1 cm) - Non-Marking Grey
Size (L x W x H):	35" x 18" x 38" (88.9 x 45.7 x 95.5 cm)
Weight (w/o Batteries):	110 - 160 lbs (49.9 - 72.6 kg)
Weight (w/ Batteries):	290 - 340 lbs (131.5 - 154.2 kg)
BRUSH / PAD SYSTEM	
Disk Dimensions:	17" - (1x) 17" Ø (43.2 - [1x] 43.2 cm) 20" - (1x) 20" Ø (50.8 - [1x] 50.8 cm)
Disk Motor:	(1x) 0.75 hp ([1x] 559 watts)
Disk Brush Speed:	200 rpm
EDGE Dimensions:	N/A
EDGE Motor:	N/A
Brush Down Pressure:	Up to 100 lbs (45.4 kg) / 500 lbs (226.8 kg) Actuator Rating
POWER SYSTEM	
System Voltage/Amps	24 VDC / 85 ah WET
Optional Battery:	Up to 130 ah WET / 115 ah AGM*
*Includes Onboard Charger	
Run Time:	Up to 2 Hours**
**Based on continuous scrubbing run times.	
DRIVE SYSTEM	
Power:	0.75 hp - All Gear / Sealed (559 watts) & Pad Assist
Forward Speed:	0 - 230 ft/min / 0 - 2.6 mph (0 - 70 m/min / 0 - 4 km/h)
Scrubbing Speed:	0 - 184 ft/min / 0 - 2 mph (0 - 56 m/min / 0 - 3 km/h)
Reverse Speed:	0 - 130 ft/min / 0 - 1.5 mph (0 - 40 m/min / 0 - 2 km/h)
SOLUTION / RECOVERY SYSTEMS	
Solution Tank Capacity:	10 Gallons (37.9 liters) - w/ Graduated Site Tube
Solution Flow / Filter:	0 - 0.5 GPM / Stainless Inline (0 - 2 LPM)
Recovery Tank Capacity:	10 Gallons (37.9 liters) - 1.5" Ø Drain Hose
Demisting Chamber:	1.25 Gallons (4.7 liters)
Drain Saver:	30 cubic inches (491.6 cubic cm)
Vacuum Power	0.8 hp / 3 Stage (640 watts)
(Water Lift / Airflow):	70" / 70 cfm (177.8 cm / 2 cm/m)
GENERAL	
Productivity - Theoretical:	Up to 15,748 sqft/hr (1,463 sqm)***
***Based off of ISSA 2010 Cleaning Times	
Productivity - Practical:	Up to 7,308 sqft/hr (679 sqm)***
***Based off of ISSA 2010 Cleaning Times	

Specifications and features subject to change without notice.



Education

Schools frequently value the maneuverability of our designs for those congested areas and small elevators. Both K through 12 and universities utilize the superior productivity from our tank capacities and run time. Our EDGE Orbital technology greatly reduce the use of chemicals and afford meaningful cost savings.



Healthcare

Easy Recovery Tank cleaning and optimized water control are key features our healthcare customers require. Cleaning the reservoir that contains the dirty water eliminates bad odors and the transfer of various contaminants. These scrubbers combine heavy duty cleaning and drying with noise levels suitable for facilities that operate around the clock.



Retail - Grocery

Shopping malls, large retail box stores and grocery stores have high daily traffic and often need to clean up product spills promptly in the presence of customers. A quiet and quality cleaning machine sends a good message to the clients that the organization values sanitation.

Our Family's American Dream

RPS has been family owned from its inception in 1986, and proudly builds in Wisconsin (USA). The company has grown over the last 35-years with a strong group of executives including the 2nd generation of family owners who started in the shop as youngsters.

Authorized Distributor



Assembled By Hand

Our American workforce hand builds each machine with components sourced over 95% from American suppliers. We routinely pay more for these domestically supplied components required to build a superior product. All design, prototyping, production and testing is done in-house where we can best control quality.



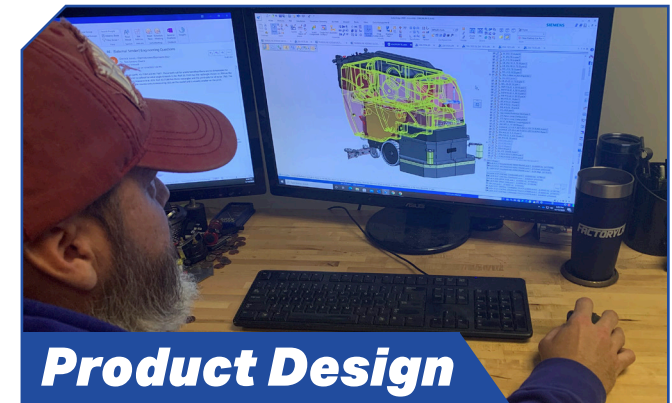
Steel Fabrication

We produce heavy duty equipment and require a good amount of thick steel in the construction. We use a combination of Stainless 304 (Austenitic 18/8) and mild steel with e-coating + powder paint for corrosion resistance. Steel fabrication is done in-house or from local suppliers with specialty equipment.



Rotational Molding

Complex shapes that allow for our "tank-in-tank" design are best achieved with in-house equipment. We own multiple dual station rotational molding machines that allow us to produce finished parts from raw plastic. Producing consistently higher quality parts, and respond quickly to sales spikes.



Product Design

Our team has designed and engineered over 100 unique machines. Each new generation of machines evolve from prior designs to retain the strengths and correct any weakness. From the first pencil sketch we focus on durability, serviceability, performance, productivity, specifications, and value.